



Simply Engineered Better

MD2000LT

Low Temperature
Door-type Dishwashing Machine



SPECIFIER STATEMENT

Specified unit will be Moyer Diebel MD2000LT 3 Door Lift low temperature, chemical sanitizing commercial dishwashers meet ETL, UL, and CUL sanitation and construction standards WITHOUT the use of BOOSTER or TANK HEATERS. The model is constructed entirely of stainless steel. Each unit automatically washes, rinses and sanitizes wares in standard 19-3/4" x 19-3/4" racks. Units come with standard upper and lower stainless steel wash arms.

Project _____
Item No. _____
Quantity _____

MD2000LT DOOR-TYPE

STANDARD FEATURES

- **ENERGY STAR® Qualified**
- **Uses only .93 US gallons (.77 imp/3.5L) of water per cycle**
- **Convertible from straight to corner operation in field**
- Quick 90 second cycle time
- 40 racks / hour
- Economical to operate
- All stainless steel construction
- Unique spray arm system features upper and lower stainless steel wash arms with reinforced end caps
- Top mounted controls include built-in chemical pumps and deliming system for dealing with scale
- Auto start/stop
- New integrated scrap tray prevents food soil from entering drain system
- Airgap fill system
- 17" tall door opening
- 115 volt unit – 20 amp breaker required

OPTIONS & ACCESSORIES

- Sanitizer Alarm
- Vent Fan Control

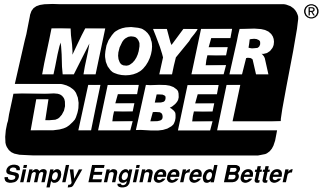
Moyer Diebel – USA

3765 Champion Blvd., Winston-Salem, NC 27105 Tel: 336/661-1992 Fax: 336/661-1979 800/228-8350
www.moyerdiebel.com

Moyer Diebel Ltd. – Canada

2674 North Service Rd., Jordan Station, Ontario, Canada L0R 1S0 Tel: 800/263-5798 Fax: 905/562-5422
www.championindustries.com/canada sales@moyerdiebellimited.com



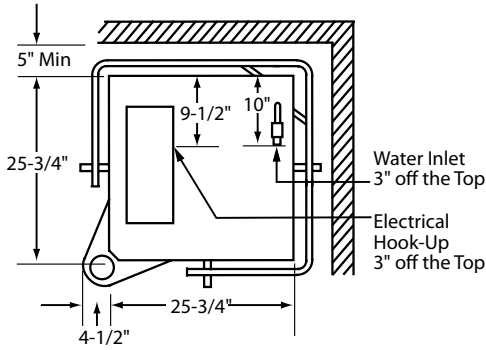


MD2000LT

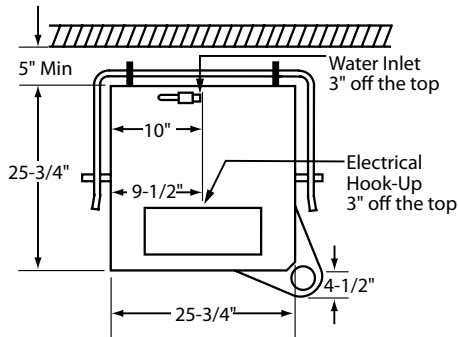
Low Temperature
Door-type Dishwashing Machine

Shipping weight crated: 218 lbs.

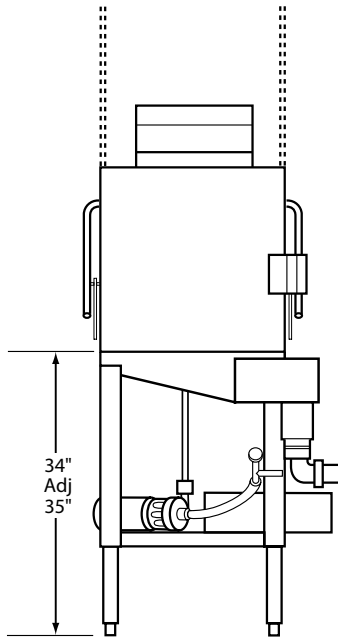
Dimensions shown in inches



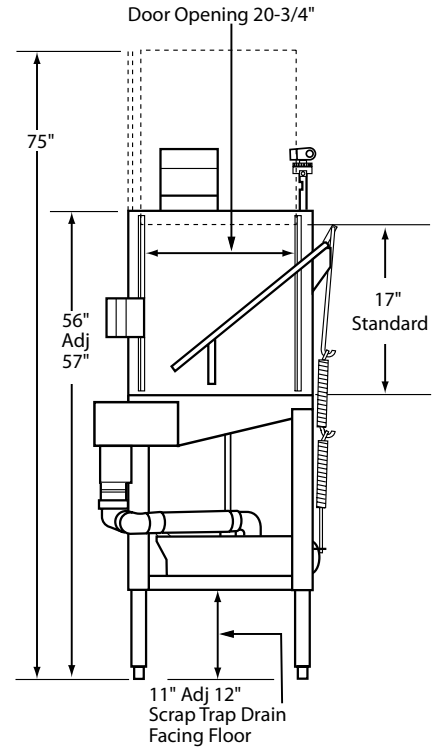
Top View - Corner



Top View - Straight



Front View



Right View

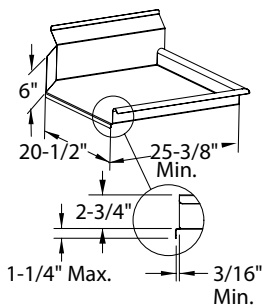


Table Construction

Utilities	
Water	1/2" water inlet
Electrical	115V; 16 amps draw 20 amp breaker required
Drain	2" I.P.S.

Warning: Plumbing, electrical connections should be made by qualified personnel who will observe all the applicable plumbing, sanitary and safety codes and the National Electrical Code.

SPECIFICATIONS

Capacities

Racks per hr. (NSF rated)	40
Pump Capacity	52 Gal/197 LPM

Motor horsepower

1 HP

Water consumption

Gal. per hr. (max. use)	37
[liters/imp gal.]	[139/30.8]
Gal. per rack	0.93
[liters/imp gal.]	[3.53/0.77]

Temperature °F/°C

Required	120/49
Recommended	140/60

Time cycle in seconds

Wash	45
Rinse	30
Dwell	15
Total cycle	90

Due to an ongoing value analysis program at Moyer Diebel, specifications contained in this catalog are subject to change without notice.

3765 Champion Blvd., Winston-Salem, NC 27105 • 336/661-1992 • Fax: 336/661-1979 • www.moyerdiebel.com
 2674 North Service Rd., Jordan Station, Ontario, Canada L0R 1S0 • 905/562-4195 • Fax 905/562-5422 • www.championindustries.com/canada
 'USGBC' and related logo is a trademark owned by the U.S. Green Building Council and is used by permission.