



**TSS-2424-L24**

## SINKS

- 304 stainless steel with galvanized legs
- Well polished welded seams
- Die-stamped creased drainboards for positive drainage
- Curved corners & rolled edges
- Back splash with 45° return
- Equipped galvanized legs and adjustable ABS bullet feet
- OPTION:
  - Stainless steel legs
  - Stainless steel braces



**TDS-1818-RL18**



**TTS-1818-R18**



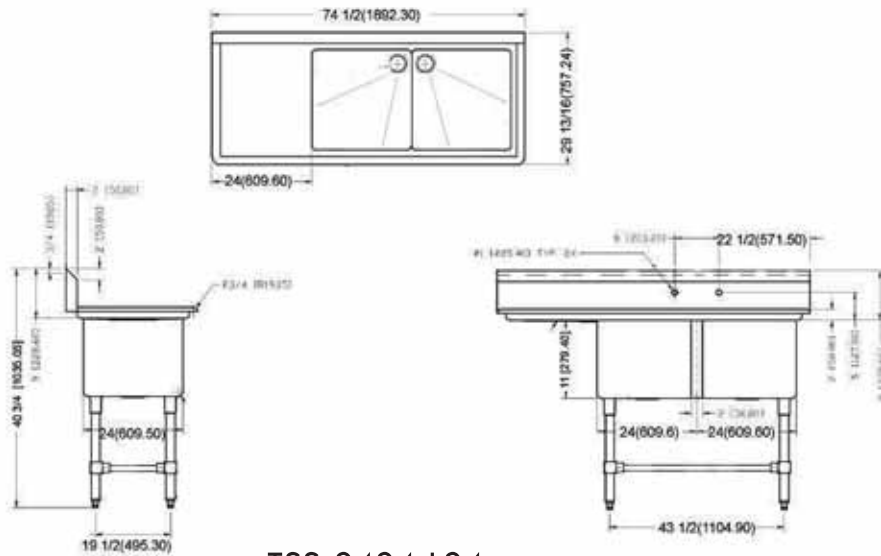
# SPECIFICATIONS

Model	N° of compartment	Bowl Size			Overall Size			Drainboard		Other
		W	L	H	W	L	H	Side	Size	
TSS-1818-L18	1	18	18	11	38	24	45	Gauche Left	18	
TSS-1818-R18	1	18	18	11	38	24	45	Droite Right	18	
TSS-1818-RL18	1	18	18	11	54	24	45	Deux Both	18	
TSS-2424-L24	1	24	24	14	51	30	45	Gauche Left	24	3-side brace support
TSS-2424-R24	1	24	24	14	51	30	45	Droite Right	24	3-side brace support
TSS-2424-RL24	1	24	24	14	72	30	45	Deux Both	24	3-side brace support
TDS-1818-L18	2	18	18	11	57	24	45	Gauche Left	18	3-side brace support
TDS-1818-R18	2	18	18	11	57	24	45	Droite Right	18	3-side brace support
TDS-1818-RL18	2	18	18	11	72	24	45	Deux Both	18	3-side brace support
TDS-2424-L24	2	24	24	14	75	30	45	Gauche Left	24	3-side brace support
TDS-2424-R24	2	24	24	14	75	30	45	Droite Right	24	3-side brace support
TDS-2424-RL24	2	24	24	14	95	30	45	Deux Both	24	3-side brace support
TTS-1818-L18	3	18	18	11	74	24	45	Gauche Left	18	3-side brace support
TTS-1818-R18	3	18	18	11	74	24	45	Droite Right	18	3-side brace support
TTS-2424-L24	3	24	24	14	99	30	45	Gauche Left	24	3-side brace support
TTS-2424-R24	3	24	24	14	99	30	45	Droite Right	24	3-side brace support

\* Design and specifications can change without prior notice for product improvement.



Die-stamped creased  
drainboards for positive  
drainage



TSS-2424-L24



**DISTRIBUTED BY:**  
**DISTEX**  
**WWW.DISTEX.CA**

129 Montée de Liesse  
St-Laurent (QC) H4T 1T9  
Tel: (800) 567-3620  
Fax: (514) 382-7837

6355 Danville Road, Unit 8  
Mississauga (ON) L5T 2L4  
Tel: (888) 645-7324  
Fax: (905) 565-5992

9912 Lougheed Highway  
Burnaby (BC) V3J 1N3  
Tel: (888) 655-3620  
Fax: (604) 444-3697