



Equipment for the Foodservice Industry

value + quality + service

Stainless Steel Worktables

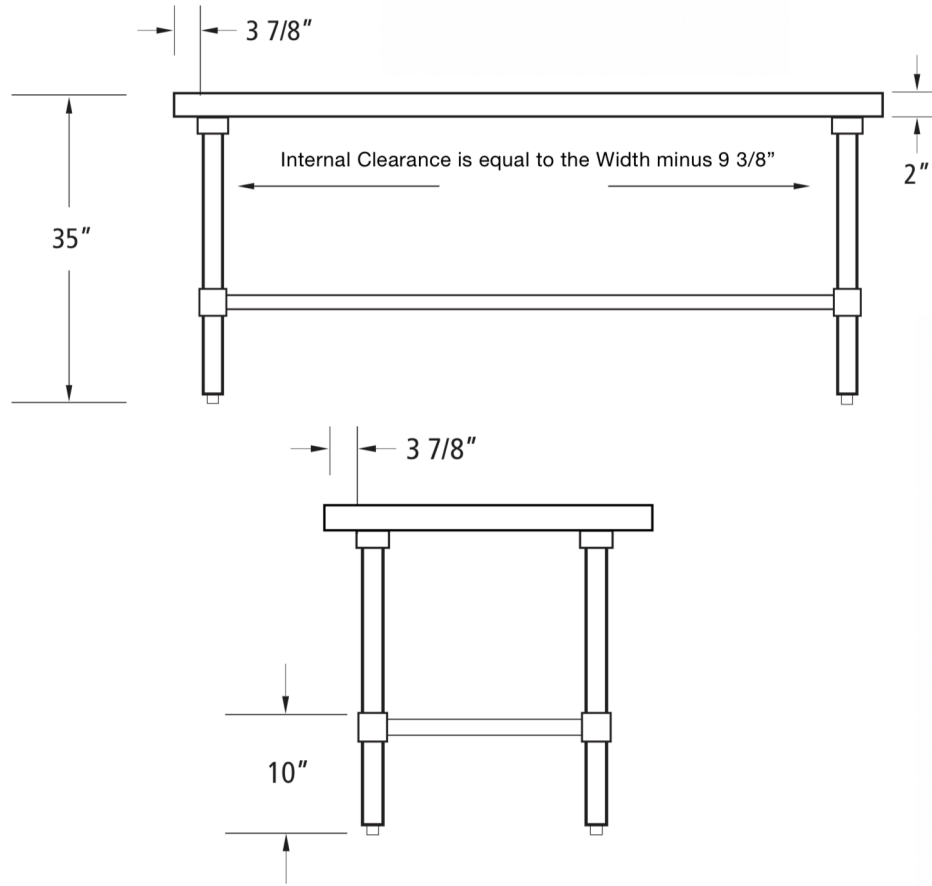


Stainless Steel Worktables Features

Features:

- Heavy duty, 18 gauge, Type 430 Stainless Steel top provides long life
- Top is TIG welded
- Entire top surface is machine polished to a satin finish
- Reinforced to exceed industry standards
- Galvanized hat channels are secured to top by structural adhesive and weld studs
- Gussets welded to support hat sections
- Hemmed edges provide strength and safety
- Simple assembly
- Shipped unassembled for reduced cost and space
- Galvanized legs and undershelf for durability and economy
- Die cast reinforced leg sockets for stability
- Legs are 1 5/8" diameter
- Adjustable ABS bullet feet to accommodate uneven flooring
- 84" and above have 6 legs
- Specifications subject to change without notice.

Stainless Steel Worktables Specifications



24" WORKTABLES

Product #	Width	Shipping Dimensions			Weight (lbs)
		L"	W"	H"	
T2424	24	36	26	3	41
T2430	30	36	26	3	45
T2436	36	38	26	3	50
T2448	48	50	26	3	60
T2460	60	62	26	3	71
T2472	72	74	26	3	81
T2484	84	86	26	3	100
T2496	96	98	26	3	110

30" WORKTABLES

Product #	Width	Shipping Dimensions			Weight (lbs)
		L"	W"	H"	
T3030	30	38	32	3	50
T3036	36	38	32	3	57
T3048	48	50	32	3	69
T3060	60	62	32	3	83
T3072	72	74	32	3	95
T3084	84	86	32	3	115
T3096	96	98	32	3	130